


**LEDscape**   
powered by LUMASCAPE

LED scene power: 14 W\*  
Typical halogen scene power: 70 W



LS9401LED - 2B4-SS-W-27   
2 W LED stainless steel

\*Nominal power consumption using a DC power supply.  
Actual power consumed may vary. Power supply not included.

# Contents

Introduction 2

## LS940LED Series

Key Features 3

Specifications 5

## Landscape Range

Key Features 7

Specifications 9

## LS793LED

Key Features 10

Specifications 11

## LS275LED

Key Features 13

Specifications 14

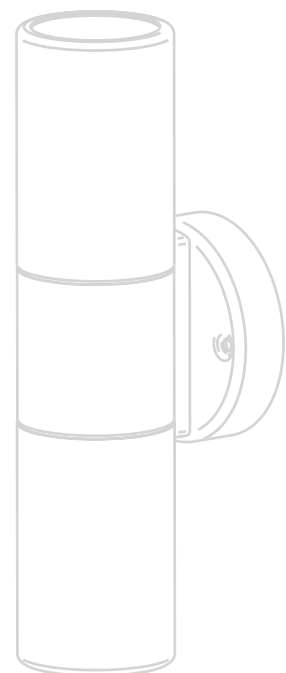
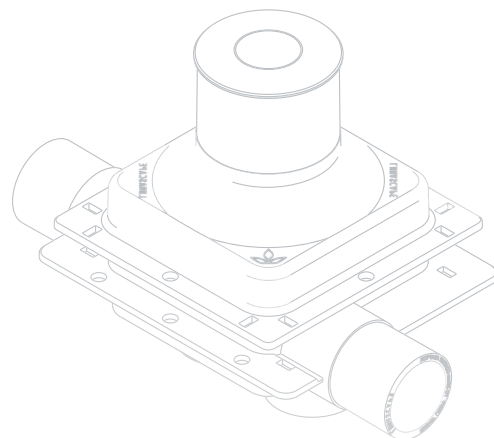
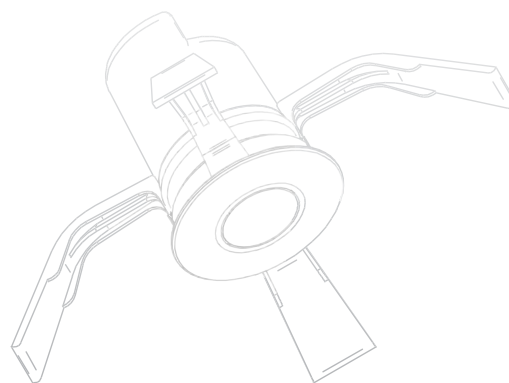
## Accessories

Power Supplies & Transformers 15

Voltage Drop & Cables 15

Remote Drivers 16

Dimming Options 16



Introducing...

# LEDscape

powered by LUMASCAPE



**LED scene power underwater: 12 W \***

**LS9405LED - 2B4-SS-W-27**

2 W blue LED stainless steel bezel, wide beam, dimmable \*\*

\* Nominal power consumption using a DC power supply.  
Actual power consumed may vary. Power supply not included.

\*\* 4 wire circuit required

LEDscape combines functionality and stylish aesthetics with the energy efficiency of LED technology to produce luminaires of exceptional quality and durability.

These luminaires are Australian made and designed and include our 10 year structural warranty for copper, 5 years for aluminium and stainless steel, and a 3 year LED and driver warranty.

# LS940LED Series by LEDscape

The LS940LED series are small yet versatile luminaires, suitable for use in a vast array of detailed lighting applications. Available with a comprehensive range of mounting options the LS940LED series is suitable for use in interior and exterior lighting applications including:

- Inground
- Pool
- Ceilings
- Garden

The LS940LED series is rated at IP68 and is covered by our 5 year structural and 3 year LED and driver warranty.

## KEY FEATURES

- 2 W LED.
- Standard with 8 metres cable.
- Up to 7 times more efficient than halogen.
- Ingress protection rating - IP68.
- 3 year LED and driver warranty.
- Dimmable - 4 wire circuit required.
- Runs on either 24 V DC or 12 V AC.
- Australian made and designed.
- 316 stainless steel bezel.
- Suitable for outdoor and indoor applications.
- Capable of three different beam angles:
  - Narrow beam 11°
  - Medium beam 20°
  - Wide beam 35°

See pages 5 and 6 for full details of code

PRODUCT	Code	LAMP	WATTAGE	COLOUR	Code	FINISH	Code	BEAM	Code	VOLTAGE	Code
LS940LED series	LS9401LED Uplight	LED	2 W	White (4300 K typical)	2W4	Stainless steel	SS	Narrow 11°	N	24 V DC or 12 V AC Dimmable with 0-10 V system *	27
				Warm white (2900 K typical)	2H4	Powdercoat white *	CW	Medium 20°	M		
				Blue (470 nm)	2B4		Wide 35°	W			
		LS9403LED Uplight									
		LS9405LED Pool niche									
		LS9406LED Wall mount									
	LS9407LED Ceiling/wall										

\* For LS9407LED only.

\* Requires LS6125 and 4 wires to run luminaire - order separately

For power supply, transformer, cables and dimming see page 15 onwards

The LS940LED series is a family of highly efficient and versatile luminaires.



## uplight

**LS9401LED**  
(includes sleeve)

The LS9401LED installation sleeve can be cut to fit, allowing for a wide variety of custom installations.



## uplight

**LS9403LED**  
(includes niche)

Niche may be purchased separately. Order LS6107. The LS9403LED is an ultra bright inground uplighter ideal for pathways, entrances and other outdoor applications.



## pool niche

**LS9405LED**  
(includes niche)

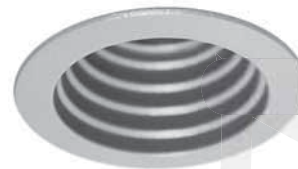
Niche may be purchased separately. Order LS6107. The LS9405LED has been specifically engineered for underwater use in pools and other water features.



## wall mount

**LS9406LED**

An alternative to the LS9407LED this wall mount luminaire features a larger flange and pre-drilled holes to accommodate countersunk screws that secure the luminaire to the wall.



## ceiling/wall

**LS9407LED**  
(includes mounting clip)

The LS9407LED provides a quick, simple and invisible method of retaining the luminaire into a ceiling or wall cavity.



## spike

**LS9402LED**  
(includes spike)

The LS9402LED utilises a spike suitable for use in a landscape or planter.

## niche

**LS6107**

Use in conjunction with LS9401LED.

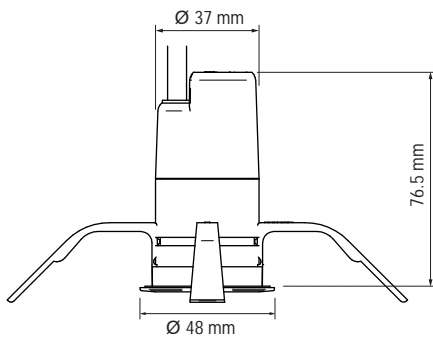


product specification continued overleaf

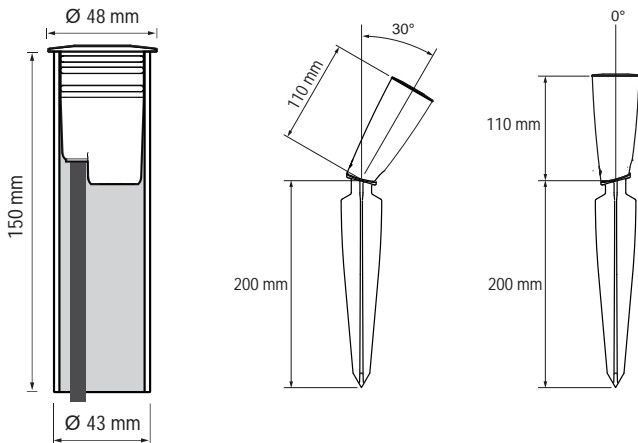
## LS940LED SPECIFICATIONS

<b>LED Source</b>	2 W *
<b>Voltage</b>	24 V DC (Ripple free supply) 12 V AC (Magnetic trans. only) NOTE: Requires remote power supply or transformer. See page 15.
<b>Cable</b>	Standard with 8 metres of cable
<b>Dimmable</b>	Using LS6125 0-10 V dimming NOTE: 4 wires circuit required to be run to luminaire. See page 16.
<b>Beam Angles</b>	Narrow beam 11° Medium beam 20° Wide beam 35°
<b>LED Colours</b>	<input type="checkbox"/> White (4300 K typical) <input type="checkbox"/> Warm white (2900 K typical) <input type="checkbox"/> Blue (470 nm)
<b>IP Rating</b>	IP68
<b>Construction</b>	316 stainless steel bezel Powdercoated aluminium bezel <input type="checkbox"/> White (LS9407LED only)
<b>Ambient Operating Temperature</b>	-20 °C to 50 °C
<b>Warranty</b>	3 year LED and driver 5 year structural
<b>Accessories</b>	LS6124 underwater cable to suit LS9405LED See page 15. LS6125 0-10 V dimmer system See page 16. LS6122 wall plate dimmer See page 16.

\* Nominal power consumption using a DC power supply. Actual power consumed may vary. Power supply not included.

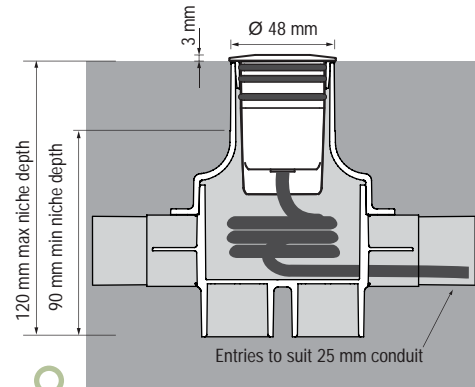


LS9407LED Ceiling/Wall Recessed Flush

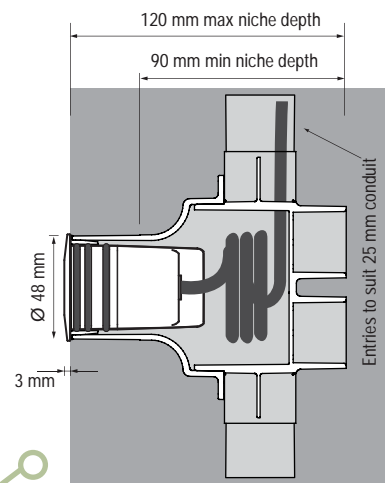


LS9401LED Uplight

LS9402LED Spike

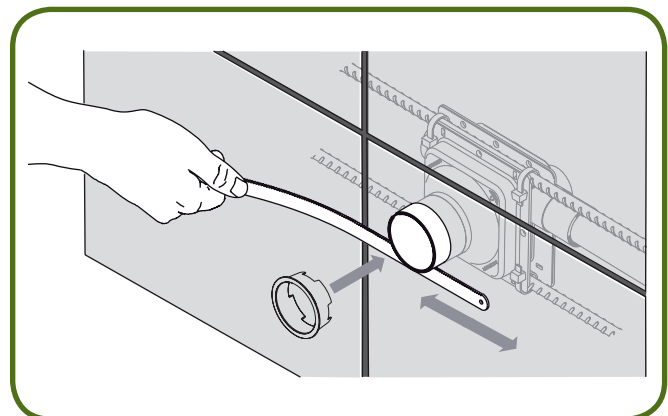


LS9403LED Uplight



LS9405LED Underwater Niche

*Comes with unique surface level feature for easy installation.*





**LED scene power: 2 W \***

**LS9401LED - 2H4-SS-N-27**

**2 W warm white LED stainless steel bezel, wide beam, dimmable \*\***

\* Nominal power consumption using a DC power supply.  
Actual power consumed may vary. Power supply not included.  
\*\* 4 wire circuit required.

# Landscape Range by LEDscope

Manufactured from polished copper or powdercoated aluminium, Landscape Range luminaires complement the look and feel of the surrounding architecture. Whether copper or powder coated, the luminaires are corrosion resistant, making the Landscape Range ideal for permanent outdoor use.

Furthermore, the Landscape Range is rated at IP65 and each luminaire is covered by our 10 year structural warranty for copper or 5 year structural warranty for aluminium, and our 3 year electrical warranty covering both the LEDs and driver.

These luminaires are suitable for outdoor applications where they provide either a decorative lighting effect or they can perform a utilitarian role.

## KEY FEATURES

- 6 W LED for single head, 2 x 6 W for double head. \*
- Higher light output than a regular 35 watt MR16 lamp.\*
- Up to 7 times more efficient than halogen.
- 10 year structural warranty for copper.
- 5 year structural warranty for aluminium.
- 3 year warranty on LEDs and driver.
- Dimmable - 4 wire circuit required (excluding LS151LED).
- Runs on either 24 V DC or 12 V AC.
- Australian made and designed.
- Ingress protection rating - IP65.
- Polished copper or powder coated aluminium (black or silver)
- Corrosion resistant.
- Suitable for outdoor applications.
- Capable of three different beam angles: \*\*
  - Narrow beam 14°
  - Medium beam 30°
  - Wide beam 40°
- Integral temperature monitoring and active thermal protection.

\* Does not apply to LS151LED which uses 3 watt.

\*\* LS151LED uses very wide beam only.

See pages 8 and 9 for full details of code

PRODUCT	Code	LAMP	WATTAGE	COLOUR	Code	FINISH	Material	Code	VOLTAGE	Code
Landscape recessed wall light / recessed downlight	LS151LED Ceiling/wall	LED	3 W	White (4300 K typical)	3W4	Polished	Copper		24 V DC or 12 V AC	7
				Warm white (2900 K typical)	3H6	Powdercoated black	Aluminium	CB		
						Powdercoated silver	Aluminium	CS		

PRODUCT	Code	LAMP	WATTAGE	COLOUR	Code	FINISH	Material	Code	BEAM	Code	VOLTAGE	Code	
Landscape single head	LS201LED Wall mount	LED	6 W	White (4300 K typical)	6W4	Polished	Copper		Narrow	14°	24 V DC or 12 V AC Dimmable with 0-10 V system*	27	
	LS321LED Wall mount			Warm white (2900 K typical)	6H6	Powdercoated black	Aluminium	CB	Medium	30°			M
	LS782LED Spike mount					Powdercoated silver	Aluminium	CS	Wide	40°			W
	LS192LED Spike mount												

\* Requires LS6125 and 4 wires to run luminaire - order separately

PRODUCT	Code	LAMP	WATTAGE	COLOUR	Code	FINISH	Material	Code	BEAM	Code	VOLTAGE	Code	
Landscape double head	LS121LED Wall mount	LED	2 x 6 W	White (4300 K typical)	12W4	Polished	Copper		Narrow	14°	24 V DC or 12 V AC Dimmable with 0-10 V system*	27	
	LS321-2LED Wall mount			Warm white (2900 K typical)	12H6	Powdercoated black	Aluminium	CB	Medium	30°			M
	LS192-2LED Spike mount					Powdercoated silver	Aluminium	CS	Wide	40°			W

\* Requires LS6125 and 4 wires to run luminaire - order separately

For power supply, transformer, cables and dimming see page 15 onwards





### LS321LED

The LS321LED is a compact adjustable luminaire used for highlighting decorative elements.

### LS201LED

This elegant compact fixed positioned luminaire provides a clean, crisp spotlight to the ground and is ideal for grazing walls.



### LS151LED

Designed and constructed with high performance in mind, this luminaire provides a clean, crisp wash of light.



### LS603

(hood only)

Designed for effective glare control. Suitable for low mounted path and access lighting.

### LS321-2LED

With an extra head added to the LS321, this luminaire can provide light for multiple surfaces.



### LS121LED

This fixed position luminaire can be used for grazing walls whilst providing light at ground level.



### LS192LED

This spike mounted luminaire delivers light in a stylish, discrete and controlled manner above ground covers.



### LS192-2LED

With two adjustable heads, the LS192-2LED adds further functionality with its bidirectional light aiming capability.



### LS782LED

This popular low voltage spike mount luminaire is ideal for garden applications.

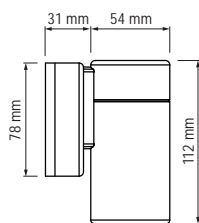


continued overleaf

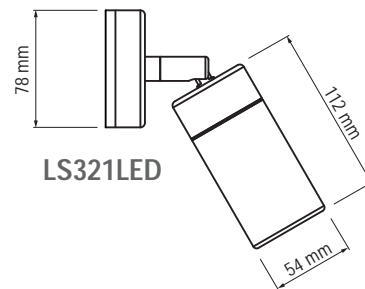
## LANDSCAPE SPECIFICATIONS

<b>LED Source</b>	6 W or 2 x 6 W * 3 W for LS151LED only
<b>Voltage</b>	24 V DC (Ripple free supply) 12 V AC (Magnetic transformer only) NOTE: Requires remote power supply or transformer. See page 15.
<b>Cable</b>	Standard with 1 metre of cable
<b>Dimmable</b>	Using <b>LS6125</b> 0-10 V dimming (Not available for LS151LED) NOTE: 4 wires circuit required to be run to luminaire. See page 16.
<b>Beam Angles</b>	Narrow 14° Medium beam 30° Wide beam 40°
<b>LED Colours</b>	<input type="checkbox"/> White (4300 K typical) <input type="checkbox"/> Warm white (2900 K typical)
<b>IP Rating</b>	IP65
<b>Construction</b>	Polished copper Powdercoated aluminium ■ Black ■ Silver
<b>Ambient Operating Temperature</b>	-20 °C to 40 °C
<b>Warranty</b>	Copper - 10 years Aluminium - 5 years LED and driver - 3 years
<b>Accessories</b>	<b>LS6125</b> 0-10 V dimmer system (Not available for LS151LED) See page 16. <b>LS6122</b> wall plate dimmer See page 16. <b>LS603</b> copper hood (LS151LED only) <b>LS603-C</b> powdercoated aluminium hood (LS151LED only)

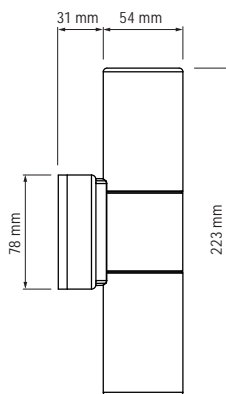
\*Nominal power consumption using a DC power supply. Actual power consumed may vary. Power supply not included.



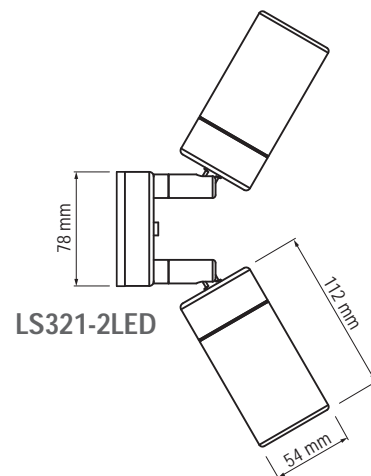
LS201LED



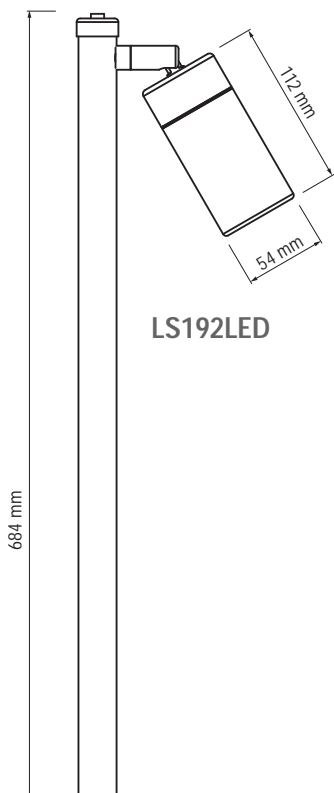
LS321LED



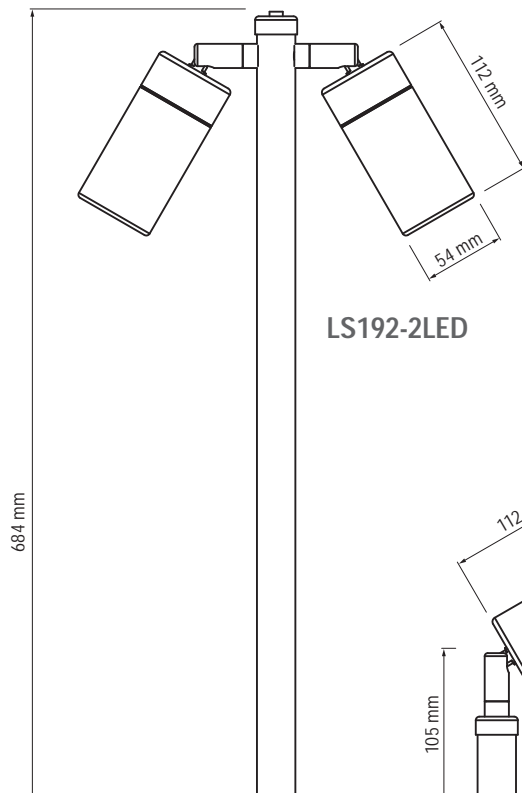
LS121LED



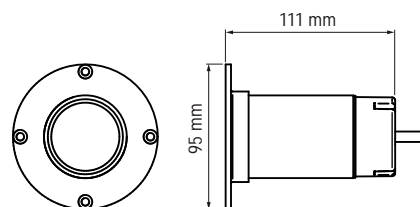
LS321-2LED



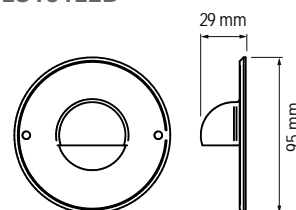
LS192LED



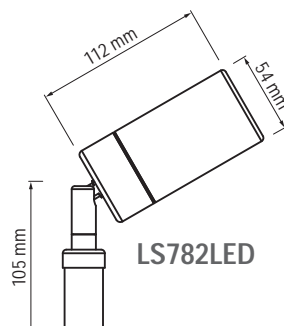
LS192-2LED



LS151LED



LS603



LS782LED

# LS793LED by LEDscape

The LS793LED is a powerful compact inground luminaire. Its compact size allows the luminaire to be integrated into more places without appearing to dominate the architecture or landscape.

For better control of light a factory set lamp tilt option is available, delivering more light onto the desired surface.



## KEY FEATURES

- 6 W LED.
- Higher light output than a regular 35 watt MR16 lamp.
- Standard with 5 metres of cable.
- Up to 7 times more efficient than halogen.
- 5 year structural warranty.
- 3 year warranty on LEDs and driver.
- Dimmable - 4 wire circuit required.
- Runs on either 24 V DC or 12 V AC.
- Australian made and designed.
- Ingress protection rating - IP68.
- Die-cast brass body and 316 stainless steel cover.
- Suitable for outdoor applications.
- Capable of three different reflector beam angles:
  - Narrow 14°
  - Medium beam 30°
  - Wide beam 40°
- Can be factory set at a 15° tilt angle.

See page 11 for full details of code

PRODUCT	Code	LAMP	WATTAGE	COLOUR	Code	BEAM	Code	VOLTAGE	Code	TILT	Code
Uplight	LS793LED Inground	LED	6 W	White (4300 K typical) Warm white (2900 K typical)	6W4 6H6	Narrow Medium Wide	14° 30° 40°	24 V DC or 12 V AC <i>Dimmable with 0-10 V system*</i>	27	0° 15°	U W

\* Requires 4 wires to run luminaire and LS6125 (order separately).

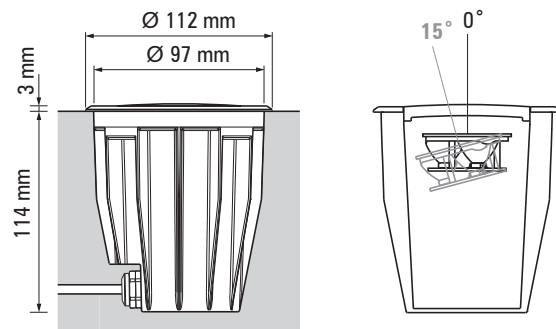
For power supply, transformer, cables and dimming see page 15 onwards

continued overleaf

## LS793LED SPECIFICATIONS

LED Source	6 W *
Voltage	24 V DC (Ripple free supply) 12 V AC (Magnetic trans. only) <small>NOTE: Requires remote power supply or transformer. See page 15.</small>
Cable	Standard with 3 metres of cable
Dimmable	Using <b>LS6125</b> 0-10 V dimming <small>NOTE: 4 wires circuit required to be run to luminaire. See page 16.</small>
Beam Angles	Narrow 14° Medium beam 30° Wide beam 40°
LED Colours	<input type="checkbox"/> White (4300 K typical) <input checked="" type="checkbox"/> Warm white (2900 K typical)
IP Rating	IP68
Construction	Die-cast brass with 316 stainless steel cover
Ambient Operating Temperature	-20 °C to 50 °C
Warranty	5 year structural 3 year LED and driver
Accessories	<b>LS6125</b> 0-10 V dimmer system See page 16. <b>LS6122</b> wall plate dimmer See page 16.

\* Nominal power consumption using a DC power supply. Actual power consumed may vary. Power supply not included.



LED scene power: 6 W\*

LS793LED - 6H6-M-27-U

6 W warm white LED, medium beam, 0° tilt, dimmable\*\*

\*Nominal power consumption using a DC power supply.  
Actual power consumed may vary. Power supply not included.

\*\* 4 wire circuit required



# LS275LED by LEDscape

The LS275LED is a premium quality brass pond light, with a long history in high performance applications. Constructed of a high pressure die-cast copper alloy, this luminaire is best known for its corrosion resistance and flawless performance.

The LS275LED is rated at IP68 and is covered by our 5 year structural and 3 year LED and driver warranty.



## KEY FEATURES

- 6 W LED.
- Higher light output than a regular 35 W MR16 lamp.
- Standard with 5 metres of cable.
- Up to 7 times more efficient than halogen.
- 5 year structural warranty.
- 3 year warranty on LEDs and driver.
- Dimmable - 4 wire circuit required.
- RGB available.
- Runs on either 24 V DC or 12 V AC.
- Australian made and designed.
- Ingress protection rating - IP68.
- Die-cast brass.
- Suitable for underwater applications.
- Capable of three different reflector beam angles:
  - Narrow medium beam 25°
  - Medium beam 30°
  - Wide beam 40°
- Can be tilted up to 180°.

See pages 14 for full details of code

PRODUCT	Code	LAMP	WATTAGE	COLOUR	Code	BEAM	Code	VOLTAGE	Code
Pond light	LS275LED	LED	6 W	White (4300 K typical)	6W4	Narrow medium * 25°	NM	24 V DC or 12 V AC	27
	Underwater			Warm white (2900 K typical)	6H6	Medium 30°	M	Dimmable with 0-10 V system *	
				Blue (470 nm)	6B4	Wide 40°	W		
				RGB *	6M4			* Requires LS6125 and 4 wires to run luminaire - order separately	

\* Not applicable for RGB

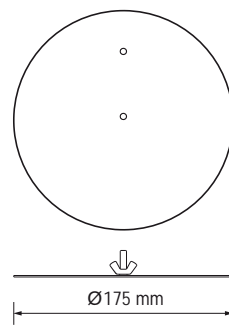
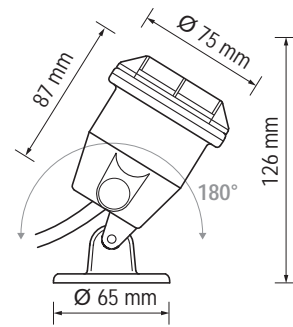
\* Requires LS67506 - order separately. See page 16.

For power supply, transformer, cables and dimming see page 15 onwards

## LS275LED SPECIFICATIONS

<b>LED Source</b>	6 W *
<b>Voltage</b>	24 V DC (Ripple free supply) 12 V AC (Magnetic trans. only) NOTE: Requires remote power supply or transformer. See page 15.
<b>Remote RGB Driver</b>	<b>LS67506</b> NOTE: Order separately - 6 wires required. See page 16.
<b>Cable</b>	Standard with 5 metres of cable
<b>Dimmable</b>	Using <b>LS6125</b> 0-10 V dimming NOTE: 4 wires circuit required to be run to luminaire. See page 16. Not compatible with RGB.
<b>Beam Angles</b>	Narrow medium beam 25° Medium beam 30° Wide beam 40°
<b>LED Colours</b>	<input type="checkbox"/> White (4300 K typical) <input type="checkbox"/> Warm white (2900 K typical) <input type="checkbox"/> Blue (470 nm) <input type="checkbox"/> RGB
<b>IP Rating</b>	IP68
<b>Construction</b>	Die-cast brass
<b>Water Temp. Rating</b>	-20 °C to 50 °C
<b>Warranty</b>	5 year structural 3 year LED and driver
<b>Accessories</b>	<b>LS632</b> mounting plate <b>LS6125</b> 0-10 V dimmer system See page 16. <b>LS6122</b> wall plate dimmer See page 16. <b>LS67506</b> remote RGB driver See page 16.

\* Nominal power consumption using a DC power supply. Actual power consumed may vary.  
Power supply not included.



LS632 Mounting Plate

**LED scene power: 486 W \***

**LS275LED - 6M4-M-27**

**6 W RGB LED, medium beam \*\***

\* Nominal power consumption using a DC power supply.  
Actual power consumed may vary. Power supply not included.

\*\* 6 wire circuit required



# Power Supplies & Transformers

## 24 V DC Power Supply\* LS100DC

<b>Input Voltage</b>	90-295 V AC, 50/60 Hz
<b>Output Voltage</b>	24 V DC
<b>Wattage</b>	100 W
<b>IP Rating</b>	IP67
<b>Cable</b>	Cable not supplied

## 12 V AC Magnetic Transformer LS22TX

<b>Input Voltage</b>	240 V AC, 50 Hz
<b>Output Voltage</b>	12 V AC
<b>Wattage</b>	22 W
<b>IP Rating</b>	IP44
<b>Cable</b>	Input: 1.8 m Output: 0.7 m

## 12 V AC Magnetic Transformer LS50TX

<b>Input Voltage</b>	240 V AC, 50 Hz
<b>Output Voltage</b>	12 V AC
<b>Wattage</b>	50 W
<b>IP Rating</b>	IP67
<b>Cable</b>	Input: 1.8 m Output: 0.7 m

## 12 V AC Magnetic Transformer LS100TX

<b>Input Voltage</b>	240 V AC, 50 Hz
<b>Output Voltage</b>	12 V AC
<b>Wattage</b>	100 W
<b>IP Rating</b>	IP67
<b>Cable</b>	Input: 1.8 m Output: 0.7 m

## 12 V AC Magnetic Transformer LS200TX

<b>Input Voltage</b>	240 V AC, 50 Hz
<b>Output Voltage</b>	12 V AC
<b>Wattage</b>	200 W
<b>IP Rating</b>	IP67
<b>Cable</b>	Input: 1.8 m Output: 0.7 m

*\*Preferred options to operate LED luminaires*

# Voltage Drop & Cables

## LS604 Cable

<b>Cable Size</b>	3.3 mm <sup>2</sup>
-------------------	---------------------

## LS604-6 Cable

<b>Cable Size</b>	6 mm <sup>2</sup>
-------------------	-------------------

## LS604-10 Cable

<b>Cable Size</b>	10 mm <sup>2</sup>
-------------------	--------------------

## LS6124 Underwater Cable

**NOTE:** To suit LS9405LED and LS275LED

## LS6123 Cable

**NOTE:** Suitable for dimming circuit

\*Available in 100 metres only



# Remote RGB Driver for LS275LED

## LS67506 RGB Remote Driver - for RGB LS275LED

<b>Input Voltage</b>	24 V DC (100 W LS100DC)
<b>Output</b>	Will drive up to 5 luminaires

**NOTE:** DMX control required

## Dimming Options

### LS6125 Dimmer System - can dim up to 50 luminaires

<b>Enclosed c/w power supply</b>	
<b>Input Voltage</b>	100-240 V AC, 50/60 Hz
<b>Input Signal</b>	0-10 V
<b>Output Signal</b>	PWM

**NOTE:** 4 wire circuit for luminaires required 2 for supply, 2 for dimming signal.

### LS6121 Dimmer Adaptor - can dim up to 50 luminaires

<b>Input Voltage</b>	12 V DC
<b>Input Signal</b>	0-10 V
<b>Output Signal</b>	PWM

**NOTE:** 4 wire circuit for luminaires required 2 for supply, 2 for dimming signal. (LS6126 power supply required)

### LS6122 Wall Plate Dimmer

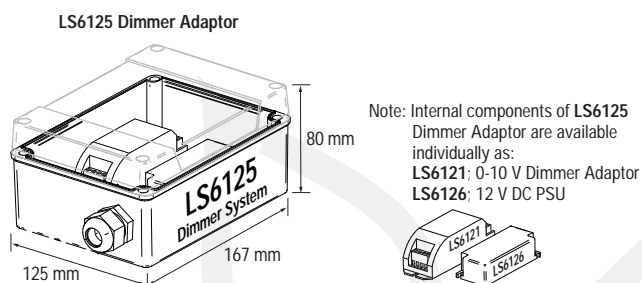
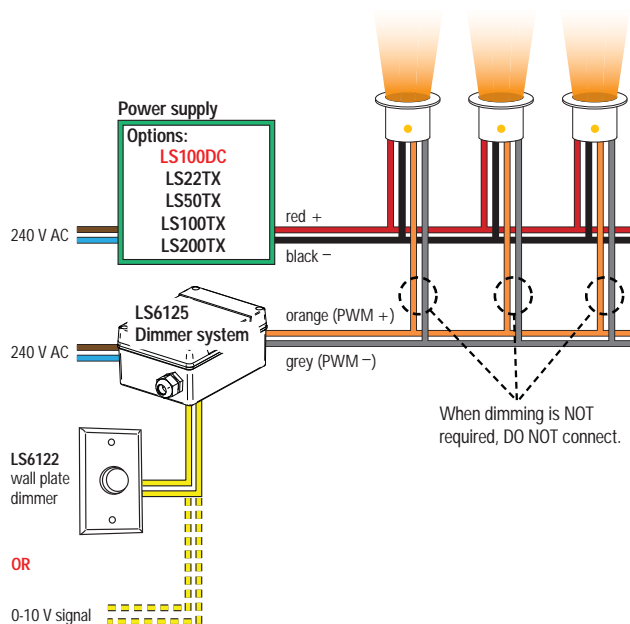
<b>Input Signal</b>	From LS6125 dimmer module
---------------------	---------------------------

**NOTE:** 2 wire circuit required from LS6125

### LS6126 12 V DC Power Supply

<b>Input Voltage</b>	90-264 V AC
<b>Output Voltage</b>	12 V DC

**NOTE:** For use with a dimming adaptor only



**NOTE:** If dimming is required use LS6125 PWM to 0-10 V dimming.

continued overleaf

The following charts may be used to select appropriate power supply / transformer and cable sizes. Please note: 24 V DC ripple free power supplies are far more efficient than 12 V AC transformers. Simply select the luminaire that you intend to use and the quantity required, and then refer to the charts on the following pages. Round the quantity of luminaires up to the nearest quantity

displayed in the charts and then use the recommendations from the charts.

At the head of each column is a power supply / transformer and there are sections for each cable size. The charts are intended as a guide and do not cover all possible applications. If the number of luminaires is larger than any displayed on the charts, simply add a second run and power supply.

**LS192LED, LS201LED, LS275LED, LS321LED, LS782LED, LS793LED  
Power Supply/ Transformer & Maximum Cable Runs**

6 W Luminaire Wattage (Part Number)	24 V DC Power Supply			12 V AC Magnetic Transformer					
	100 W (LS100DC)			100 VA (LS100TX)			50 VA (LS50TX)		
LEDscape Cable	LS604	LS604-6	LS604-10	LS604	LS604-6	LS604-10	LS604	LS604-6	LS604-10
Cable size	3.3 mm <sup>2</sup>	6 mm <sup>2</sup>	10 mm <sup>2</sup>	3.3 mm <sup>2</sup>	6 mm <sup>2</sup>	10 mm <sup>2</sup>	3.3 mm <sup>2</sup>	6 mm <sup>2</sup>	10 mm <sup>2</sup>
No. of luminaires 100 metre run	10	•	•	0	0	1	0	0	1
No. of luminaires 75 metre run	10	•	•	0	1	1	0	1	1
No. of luminaires 50 metre run	10	•	•	1	1	2	1	1	2
No. of luminaires 25 metre run	10	•	•	2	3	5	2	3	5

• means the maximum number of luminaires can be accommodated on smaller cables.

**LS121LED, LS192-2LED, LS321-2LED  
Power Supply/ Transformer & Maximum Cable Runs**

12 W Luminaire Wattage (Part Number)	24 V DC Power Supply			12 V AC Magnetic Transformer					
	100 W (LS100DC)			100 VA (LS100TX)			50 VA (LS50TX)		
LEDscape Cable	LS604	LS604-6	LS604-10	LS604	LS604-6	LS604-10	LS604	LS604-6	LS604-10
Cable size	3.3 mm <sup>2</sup>	6 mm <sup>2</sup>	10 mm <sup>2</sup>	3.3 mm <sup>2</sup>	6 mm <sup>2</sup>	10 mm <sup>2</sup>	3.3 mm <sup>2</sup>	6 mm <sup>2</sup>	10 mm <sup>2</sup>
No. of luminaires 100 metre run	5	•	•	0	•	•	0	•	•
No. of luminaires 75 metre run	5	•	•	0	•	•	0	•	•
No. of luminaires 50 metre run	5	•	•	0	•	•	0	•	•
No. of luminaires 25 metre run	5	•	•	1	•	•	1	•	•

• means the maximum number of luminaires can be accommodated on smaller cables.

**NOTE:** 24 V DC power supplies are far more efficient than AC transformers.

*Warning: Connecting a luminaire to a 24 V AC supply will cause irreparable damage to the internal LED driver and void warranty.*

**Need help with layout calculations?  
Call 07 3286 2299  
Email [support@ledscape.com.au](mailto:support@ledscape.com.au)  
[www.ledscape.com.au](http://www.ledscape.com.au)**

**LS940LED Series  
Power Supply/ Transformer & Maximum Cable Runs**

2 W Luminaire Wattage (Part Number)	24 V DC Power Supply			12 V AC Magnetic Transformer								
	100 W (LS100DC)			100 VA (LS100TX)			50 VA (LS50TX)			22 VA (LS22TX)		
LEDscape Cable	LS604	LS604-6	LS604-10	LS604	LS604-6	LS604-10	LS604	LS604-6	LS604-10	LS604	LS604-6	LS604-10
Cable size	3.3 mm <sup>2</sup>	6 mm <sup>2</sup>	10 mm <sup>2</sup>	3.3 mm <sup>2</sup>	6 mm <sup>2</sup>	10 mm <sup>2</sup>	3.3 mm <sup>2</sup>	6 mm <sup>2</sup>	10 mm <sup>2</sup>	3.3 mm <sup>2</sup>	6 mm <sup>2</sup>	10 mm <sup>2</sup>
No. of luminaires 100 metre run	26	•	•	6	10	10	4	4	4	2	3	3
No. of luminaires 75 metre run	26	•	•	8	10	12	5	5	8	3	3	4
No. of luminaires 50 metre run	26	•	•	10	12	14	6	8	8	3	4	4
No. of luminaires 25 metre run	26	•	•	14	14	14	8	8	8	4	4	4

• means the maximum number of luminaires can be accommodated on smaller cables.

**LS151LED  
Power Supply/ Transformer & Maximum Cable Runs**

3 W Luminaire Wattage (Part Number)	24 V DC Power Supply			12 V AC Magnetic Transformer					
	100 W (LS100DC)			100 VA (LS100TX)			50 VA (LS50TX)		
Lumescape Cable	LS604	LS604-6	LS604-10	LS604	LS604-6	LS604-10	LS604	LS604-6	LS604-10
Cable size	3.3 mm <sup>2</sup>	6 mm <sup>2</sup>	10 mm <sup>2</sup>	3.3 mm <sup>2</sup>	6 mm <sup>2</sup>	10 mm <sup>2</sup>	3.3 mm <sup>2</sup>	6 mm <sup>2</sup>	10 mm <sup>2</sup>
No. of luminaires 100 metre run	18	•	•	0	0	2	0	0	2
No. of luminaires 75 metre run	18	•	•	0	2	2	0	2	2
No. of luminaires 50 metre run	18	•	•	2	2	4	2	2	4
No. of luminaires 25 metre run	18	•	•	3	5	9	3	5	9

• means the maximum number of luminaires can be accommodated on smaller cables.

**NOTE:** 24 V DC power supplies are far more efficient than AC transformers.



LEDscape powered by Lumascope  
38-44 Enterprise Street, Cleveland, QLD 4163, Australia  
PO Box 1875, Cleveland D.C., QLD 4163, Australia  
T 07 3286 2299  
F 07 3286 6599  
E [support@ledscape.com.au](mailto:support@ledscape.com.au)  
W [www.ledscape.com.au](http://www.ledscape.com.au)  
ABN 21 010 572 773

